

Stand Up Device



REAC Stand Up Device is a standing support system originally designed as a “bolt on solution” for the powered wheelchair industry. It is also suited to fit other rehab applications and other industries, as an OEM application.

To help wheelchair users to a standing position when needed. Designed to fit onto common wheelchair chassis and can be customized for different requirements. It is available in 3 size configurations: small, medium and large. Medium is the standard configuration.

Way of Work

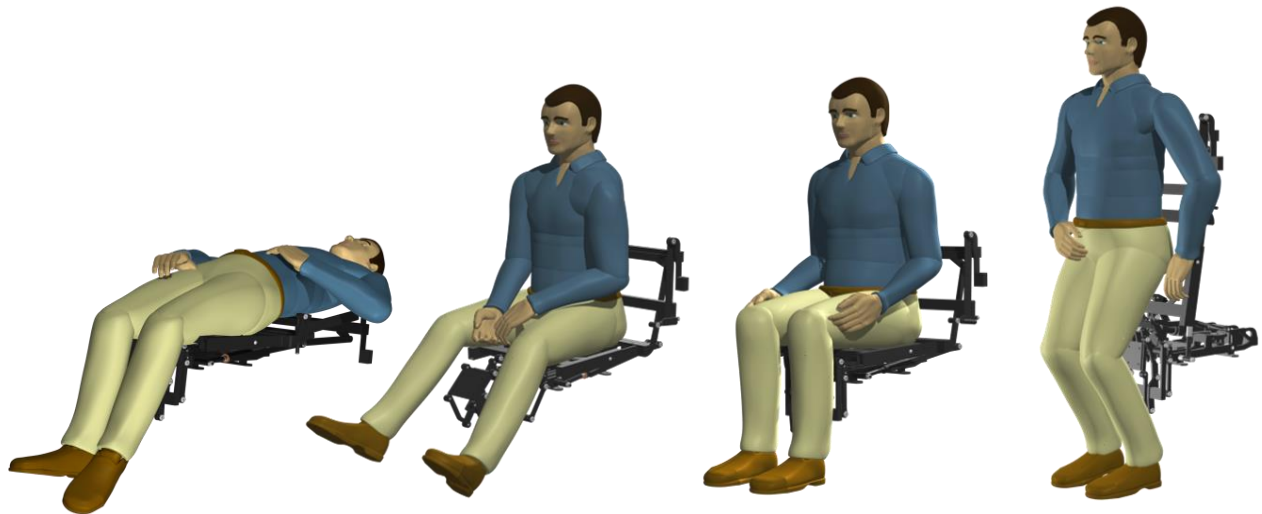
The Stand Up Device is designed to support an ergonomically motion pattern using compensating shear reduction/articulating joints to avoid stretching.

Moving towards upright position, the armrests keep a horizontal alignment all the way up. Sheer reduction thanks to articulating joints on the recline. Moving towards lie down position, the armrest keeps a horizontal alignment. The Stand Up Device also has an articulating/sheer reduction leg rest support.

Control

The Reac DigPot® motor control can control every motion in the Stand Up Device. Using advanced software in combination it is possible to obtain pre-programmed synchronized motion patterns and memory positions. Each motor can also be controlled individually by a Reac or other customized HMI.

Using PWC controls inhibit circuits, the Stand Up Device can be controlled from the normal PWC control system.



Stand Up Device

Standard features

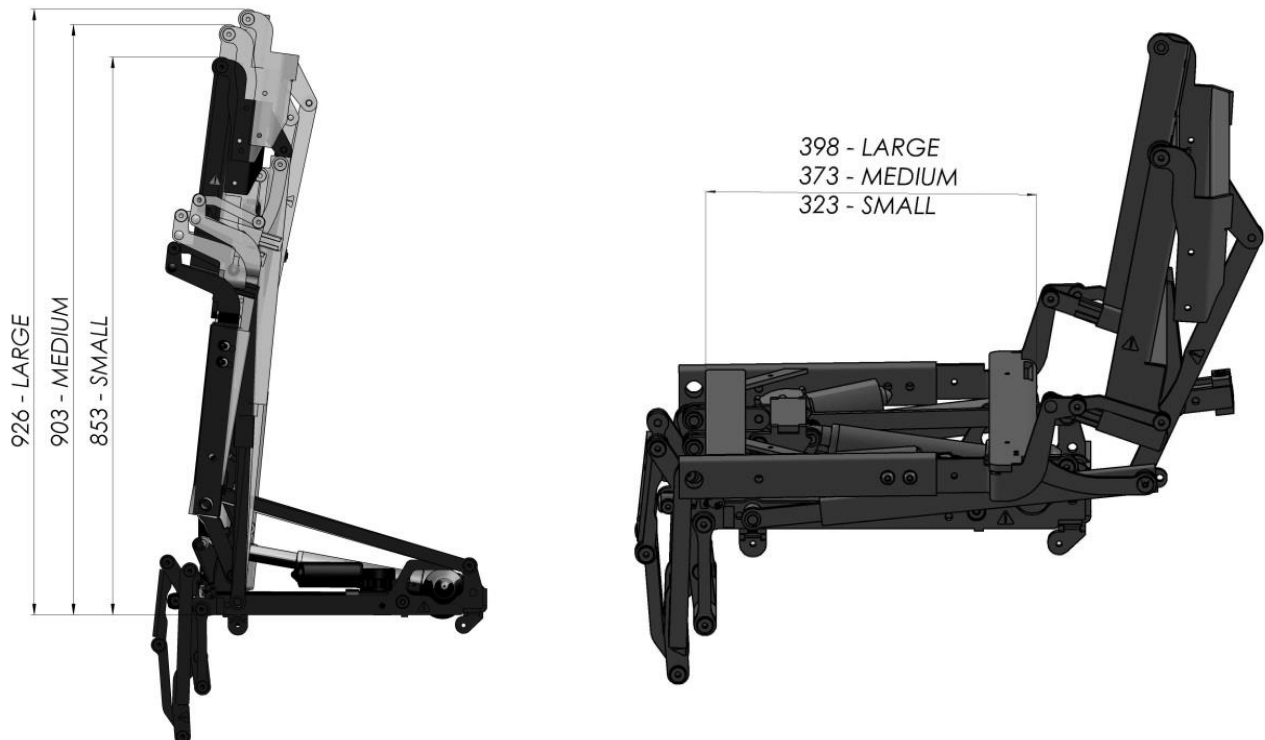
Load capacity	160kg
Weight	33kg
Feedback & switches	Limit switch, outer and inner position for seat, back and legrest
Duty cycle	10%, max 2 min at continuous use followed by an 18 min rest
Connection	Cable 0,5m 2x0,75mm ² (stripped ends)
Motor	24VDC
Color	Black powder coated steel RAL9005 (gloss 7-8%)

Options

Top and bottom frame	Customized
Connection	Customized
Feedback and switches	Additional limit switches on frame for extra safety or customizations. Available for seat and leg rest

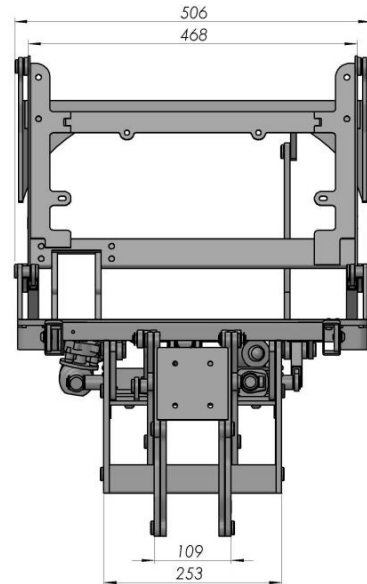
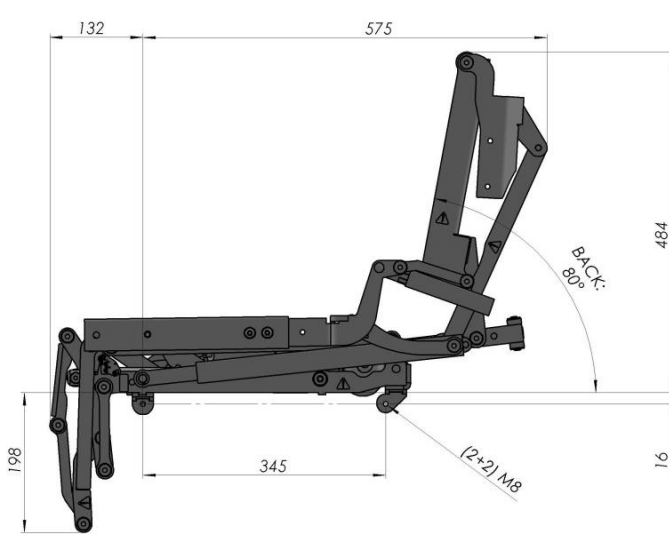
Configurations

	Small	Medium	Large
Seat depth	323mm	379mm	398mm
Stand up height	853mm	903mm	926mm

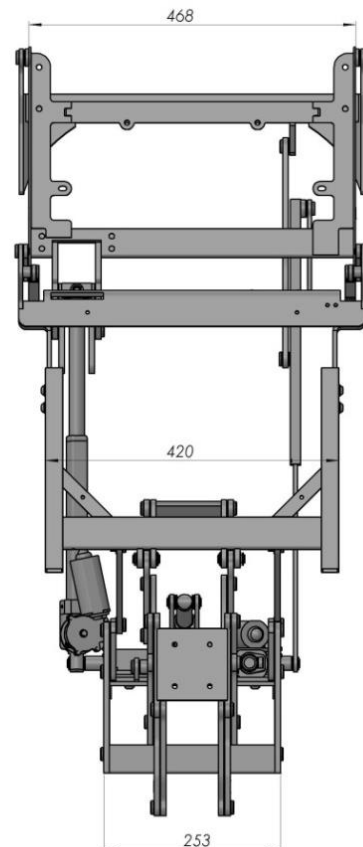
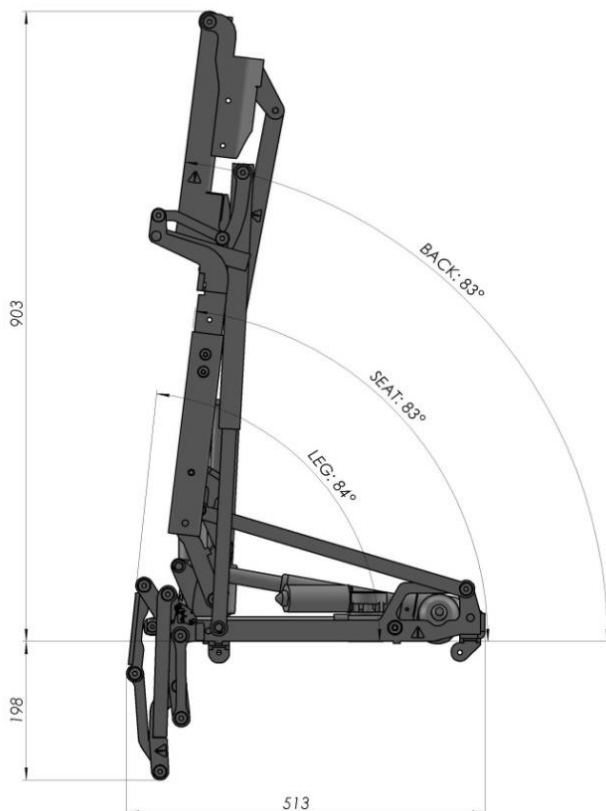


Dimensions

Seating position

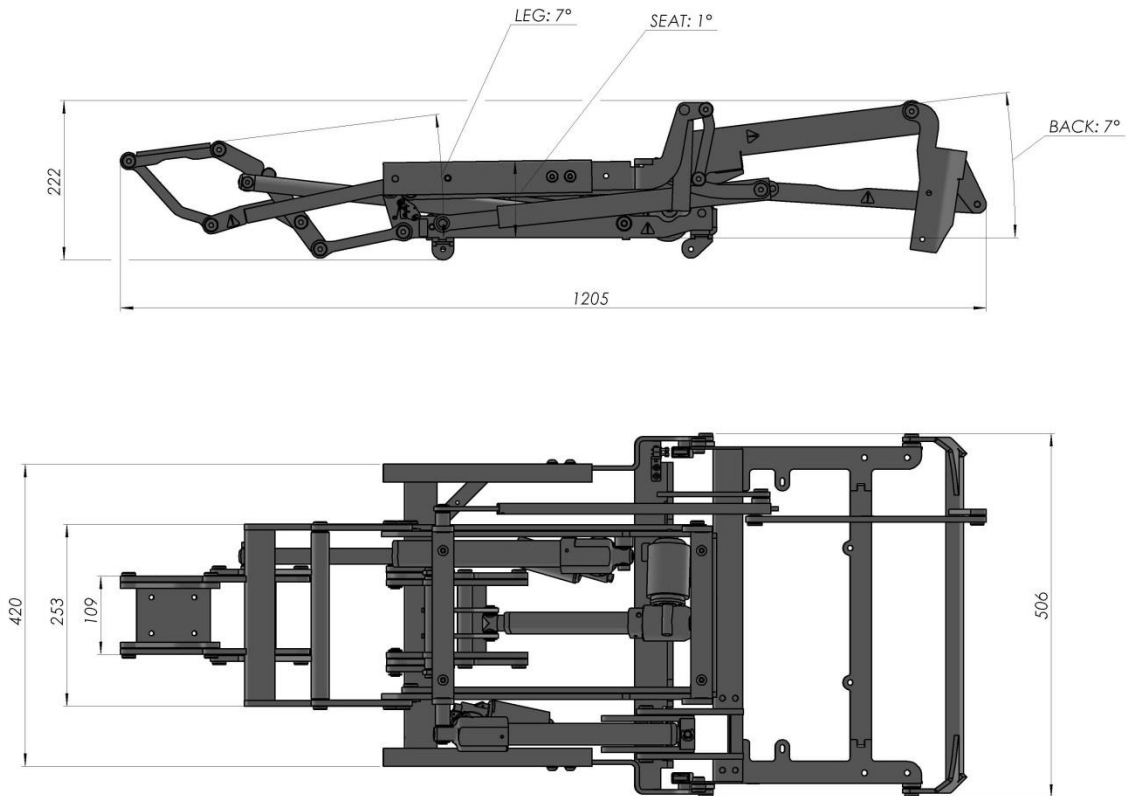


Stand up position



Stand Up Device

Lie down position



© REAC, September 2016, Issue 1.0

REAC is continuously developing our products and can make changes without prior notice. Therefore we can't guarantee that the information stated on our webpage or in our written material always is up to date, nor can we take responsibility for any misinterpretation of our written context. Technical specification might change due to load and external circumstances. REAC products shall be tested in its intended application before use.

REAC AB
Forsbrogatan 4
662 34 Åmål, Sweden

REAC Poland Sp. z o.o
Ul. Sulejowska 45
97-300 Piotrków Trybunalski, Poland

www.reac.se
E-mail: info@reac.se
Phone: +46 532 78 50 00