

## Mechanical Limit Switch

The mechanical limit switch is a mechanical/electrical feedback device which is used to control the stroke length between two fixed end positions by the activated micro switch signals. One or two micro switches are mounted in a plastic housing on the outer actuator tube, the micro switches are activated by a metal piston which follows the moving cylinder.

## Technical specification

### Configurations

Available for RE1004, RE2000, RE25\*, RE3004, RE3005, RE35\*, RE5000, RE5001, RE5003, RE60, RE6001, RE6003, RE7000

\*with max pitch of 4mm

### Electrical characteristics micro switch

Max load non-inductive, rated at 30VDC

Resistive load 10A

Lamp load 4A

Max load inductive, rated at 30VDC

Inductive load 10A

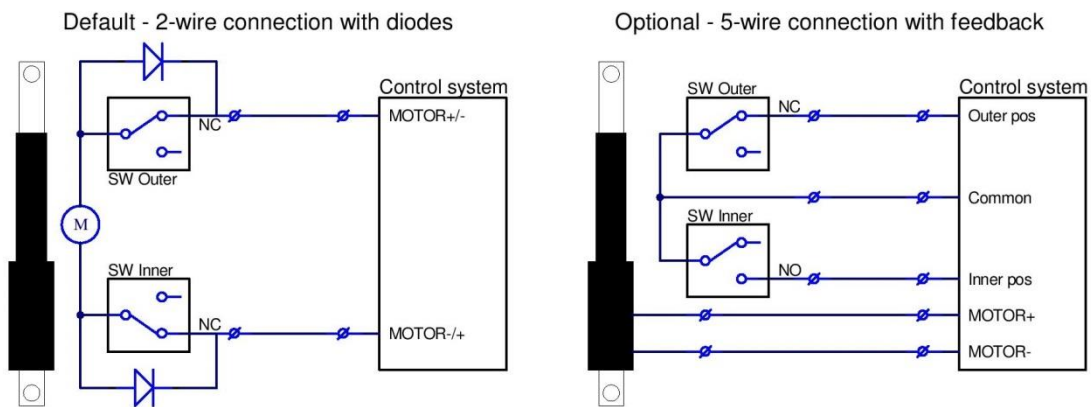
Motor load 4A

### Connection

Specs upon customer request

## Principle

Limit switch - mechanical



## Dimensions

With limit switch option the built-in length will increase by 15 mm due to bracket for piston rod.

**Note.** Limit switch option is available for REAC actuators outside standard stroke and pitch, please contact REAC for consultation.

## Mechanical Limit Switch

© REAC, September 2016, Issue 1.0

REAC is continuously developing our products and can make changes without prior notice. Therefore we can't guarantee that the information stated on our webpage or in our written material always is up to date, nor can we take responsibility for any misinterpretation of our written context. Technical specification might change due to load and external circumstances. REAC products shall be tested in its intended application before use.

REAC AB  
Forsbrogatan 4  
662 34 Åmål, Sweden

REAC Poland Sp. z o.o  
Ul. Sulejowska 45  
97-300 Piotrków Trybunalski, Poland

www.reac.se  
E-mail: info@reac.se  
Phone: +46 532 78 50 00