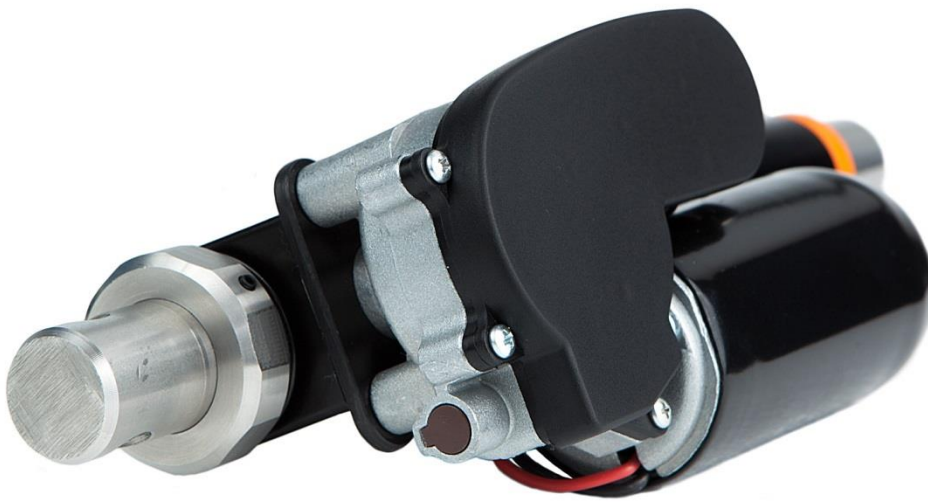


Multi Turn Potentiometer



For an absolute feedback function, the actuator will be equipped with a multi turn precision potentiometer. In order to cope with the wide range of different stroke and pitch a gearbox is connected between the actuator motor output shaft and potentiometer shaft, the gear ratio is adapted to current stroke and pitch in order to have optimal feedback resolution for the application.

Technical specification

Configurations

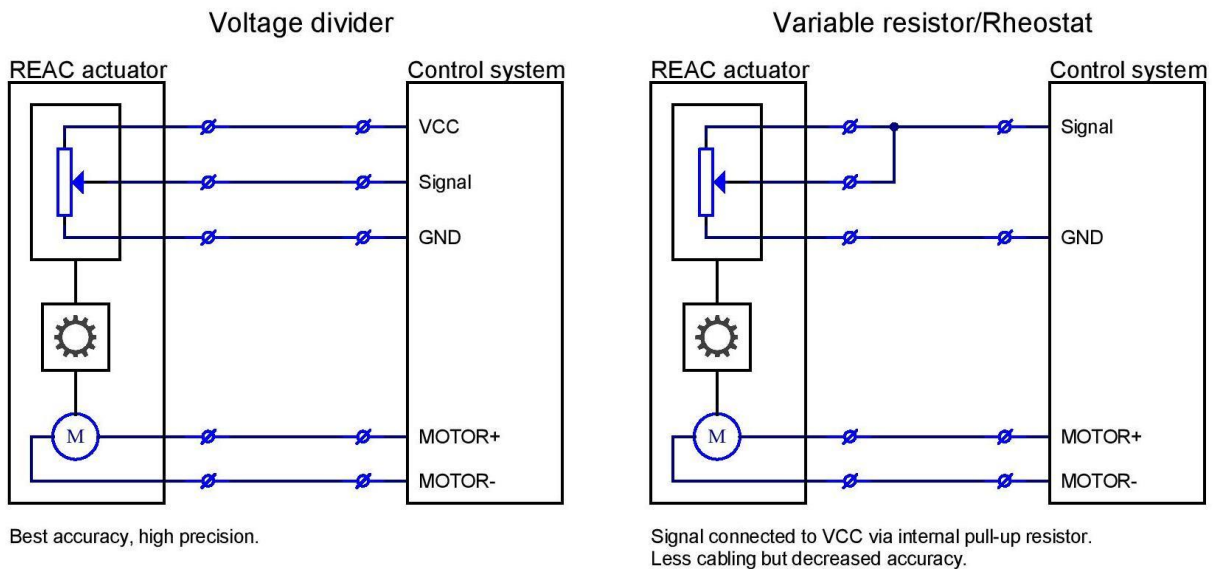
Available for RE25 and RE35

Potentiometer Electrical characteristics

Resistance	10kohm (or value upon customer request)
Total resistance tolerance	+/- 5 %
Independent linearity	+/- 0,25 %
Power rating	2 watts (at max +70dgr C)

Principle

Potentiometer multi-turn



Connection

Cable Unshielded 6 wire; 2x0,75mm² + 4x0,22mm² (or other specs on customer request)

Contact None. (or specs on customer request)

Motor encapsulation with potentiometer option.

RE25 Rubber sleeve

RE35 Plastic cover

Multi Turn Potentiometer

Resolution

Due to mechanical limitations of the gear ratio the resolution will change according to below diagram for REAC actuator standard strokes and pitch. Resolution = % of total resistance range in relation to actuator stroke.

Feedback resolution for RE25

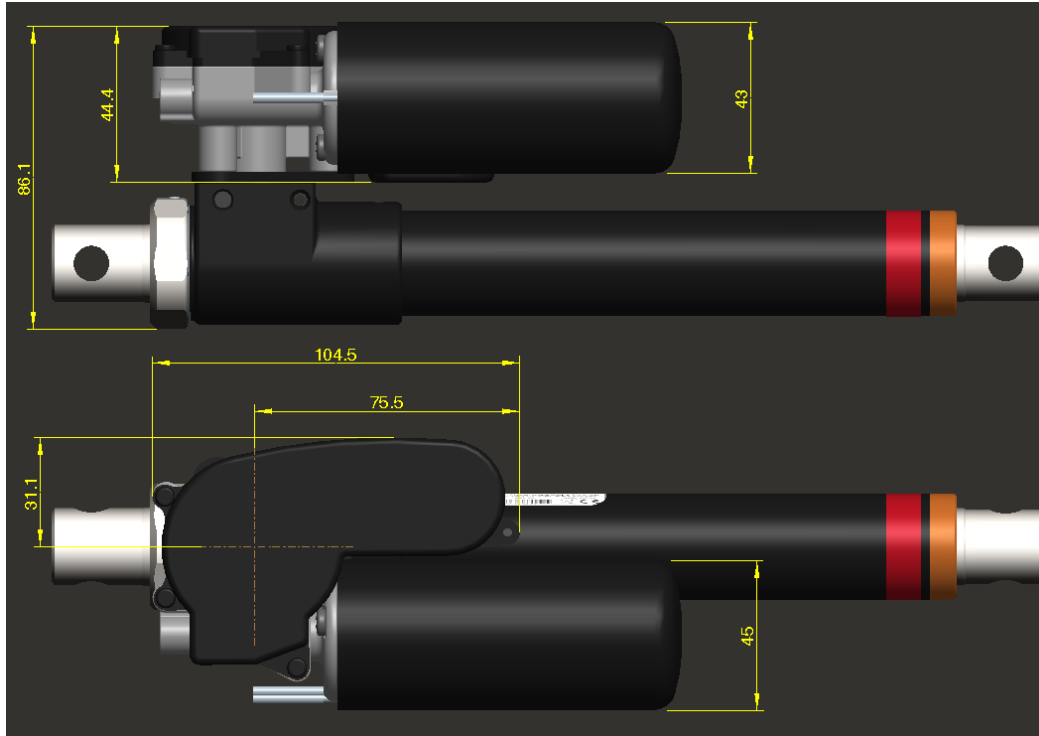
Stroke [mm]	Pitch 3mm	Pitch 4mm	Pitch 6mm	Pitch 9mm
50	66,0%	100,0%	66,0%	50,0%
100	66,0%	100,0%	66,0%	100,0%
150	100,0%	75,0%	100,0%	75,0%
200	66,0%	100,0%	66,0%	100,0%
250	83,3%	62,5%	83,3%	62,5%
300	100,0%	75,0%	100,0%	75,0%

Feedback resolution for RE35

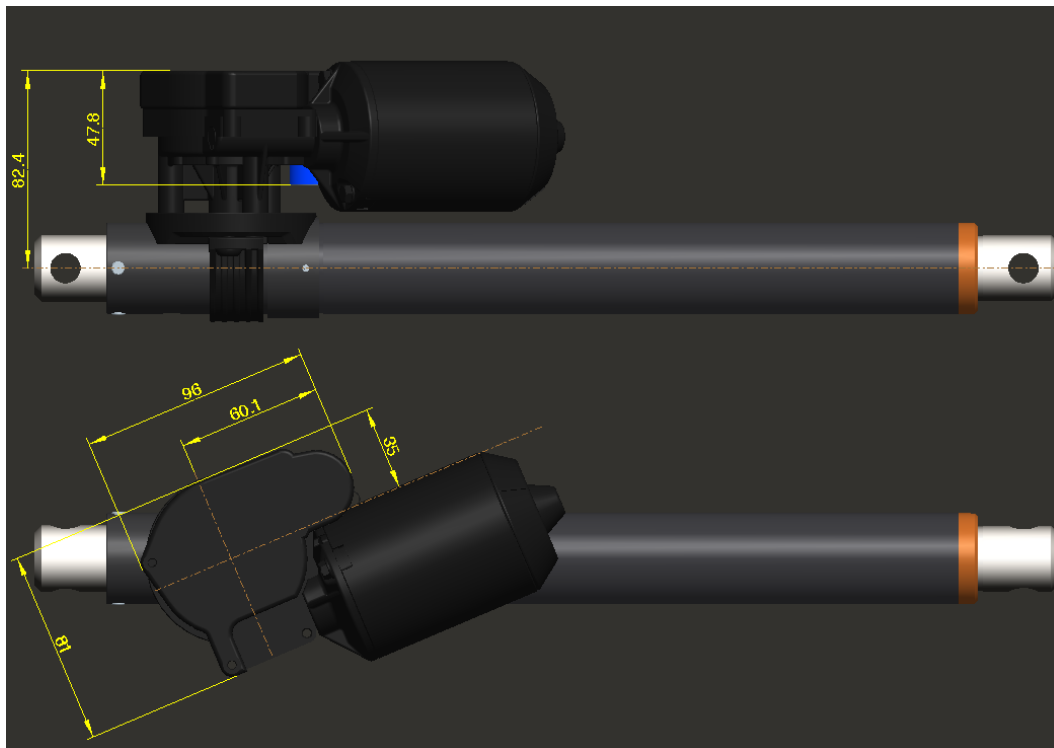
Stroke [mm]	Pitch 3mm	Pitch 4mm	Pitch 6mm	Pitch 9mm
50	63,4%	95,2%	63,4%	42,3%
100	76,0%	95,2%	63,4%	84,6%
150	98,6%	100,0%	95,2%	63,4%
200	88,9%	98,7%	97,8%	84,6%
250	81,4%	95,8%	94,6%	93,0%
300	97,7%	100,0%	98,7%	97,8%

Dimensions

Overall dimensions for RE25 with potentiometer



Overall dimensions for RE35 with potentiometer



Note. Potentiometer option is available for REAC actuators RE25 and RE35 outside standard stroke and pitch, please contact REAC for consultation.

Multi Turn Potentiometer

© REAC, September 2016, Issue 1.0

REAC is continuously developing our products and can make changes without prior notice. Therefore we can't guarantee that the information stated on our webpage or in our written material always is up to date, nor can we take responsibility for any misinterpretation of our written context. Technical specification might change due to load and external circumstances. REAC products shall be tested in its intended application before use.

REAC AB
Forsbrogatan 4
662 34 Åmål, Sweden

REAC Poland Sp. z o.o
Ul. Sulejowska 45
97-300 Piotrków Trybunalski, Poland

www.reac.se
E-mail: info@reac.se
Phone: +46 532 78 50 00