

Actuator RE25



RE25 is with its flexible and compact design suitable for many different applications. The materials used in the RE25 actuator are anodized aluminum, painted steel and plastic. All materials are chosen to be harmless to the environment.

Standard features

Max push force	2300N – 5000N
Max pull force	Contact REAC for more information
Max speed (full load)	4,0 – 12,0 mm/s
Max speed (no load)	6 - 17 mm/s
Min built in length	110mm + stroke
Stroke lengths (mm)	50, 100, 150, 200, 250
IP-class	IPX1
Current consumption (full load)	6,0A – 8,0A
Current consumption (no load)	2,5A – 3,0A
Feedback & switches	-
Motor	24VDC standard or strong Motor angle: 360° step less rotation Motor cover: Plastic
Mounting brackets	cyl 10,1/12,1/13,1mm, fork 10mm
Connection	Cable 0,5m 2x0,75mm ² (stripped ends)
Operating temperature	-25° to +65°C
Storage temperature	-40° to +85°C
Housing	Aluminum
Piston	Stainless steel
Color	Black
Duty cycle	10%, max 2 min at continuous use followed by an 18 min rest

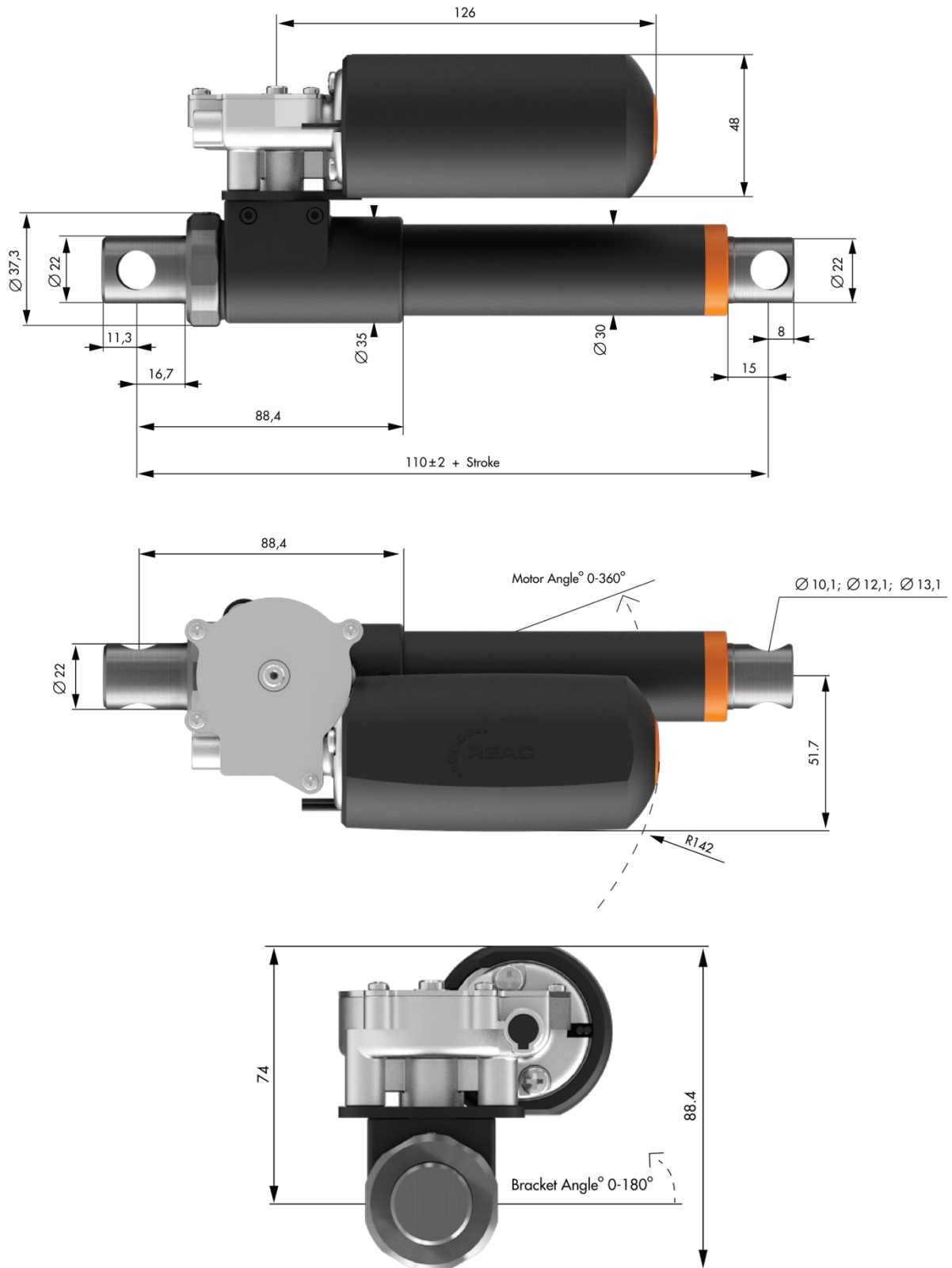
Options

Stroke lengths (mm)	Customizable
IP-class	IPX4
Mounting brackets	Customizable
Connection & Cables	Customizable
Color	Customizable
Feedback & switches	Mechanical limit switch Reed limit switch Optical sensor encoder Hall sensor feedback, 1 or 2 channels Multi turn potentiometer DigPot
Motor	12VDC

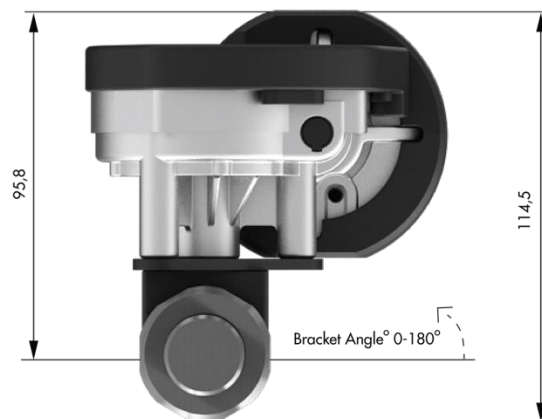
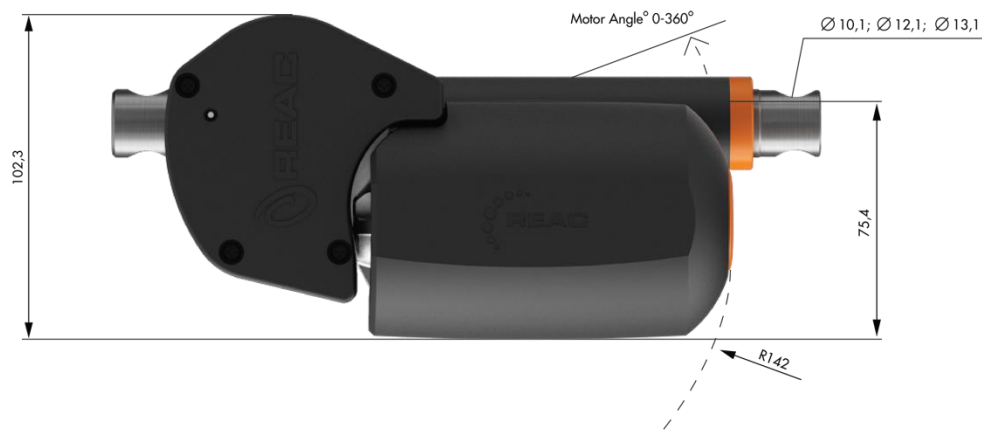
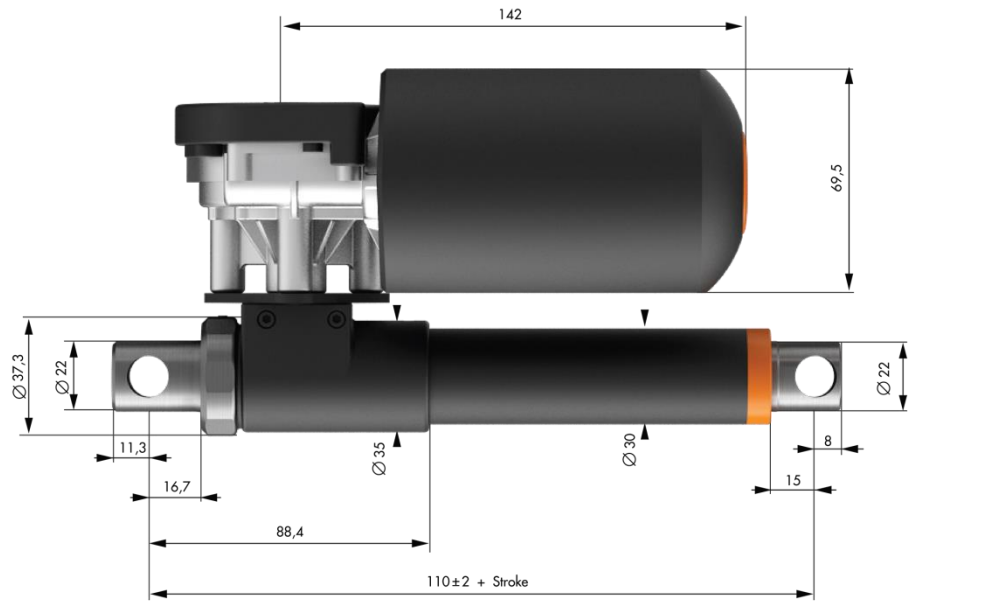
Actuator RE25

Dimensions

Standard motor IPX1

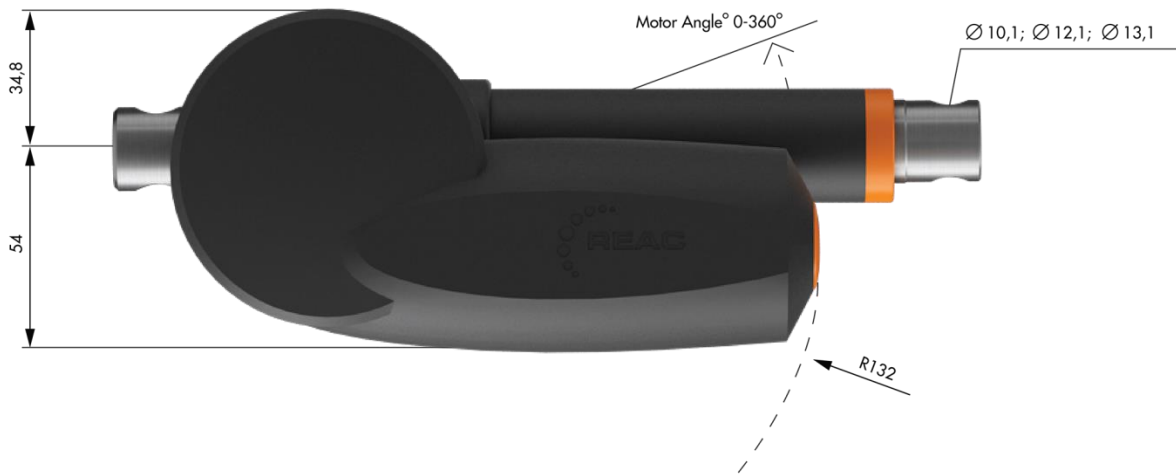
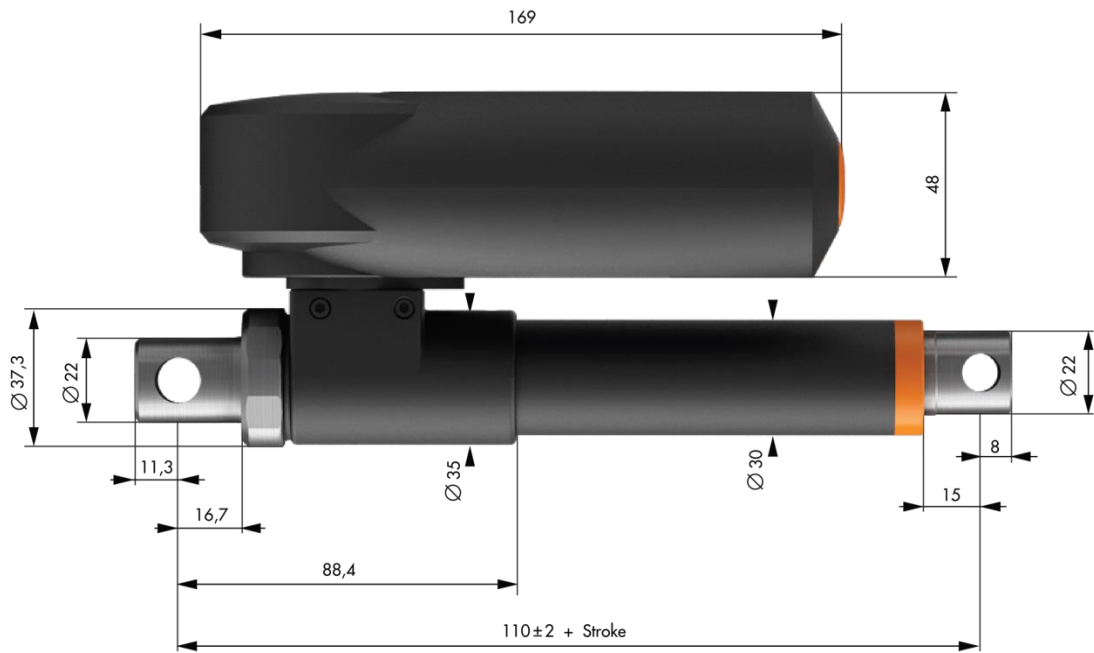


Strong motor IPX1

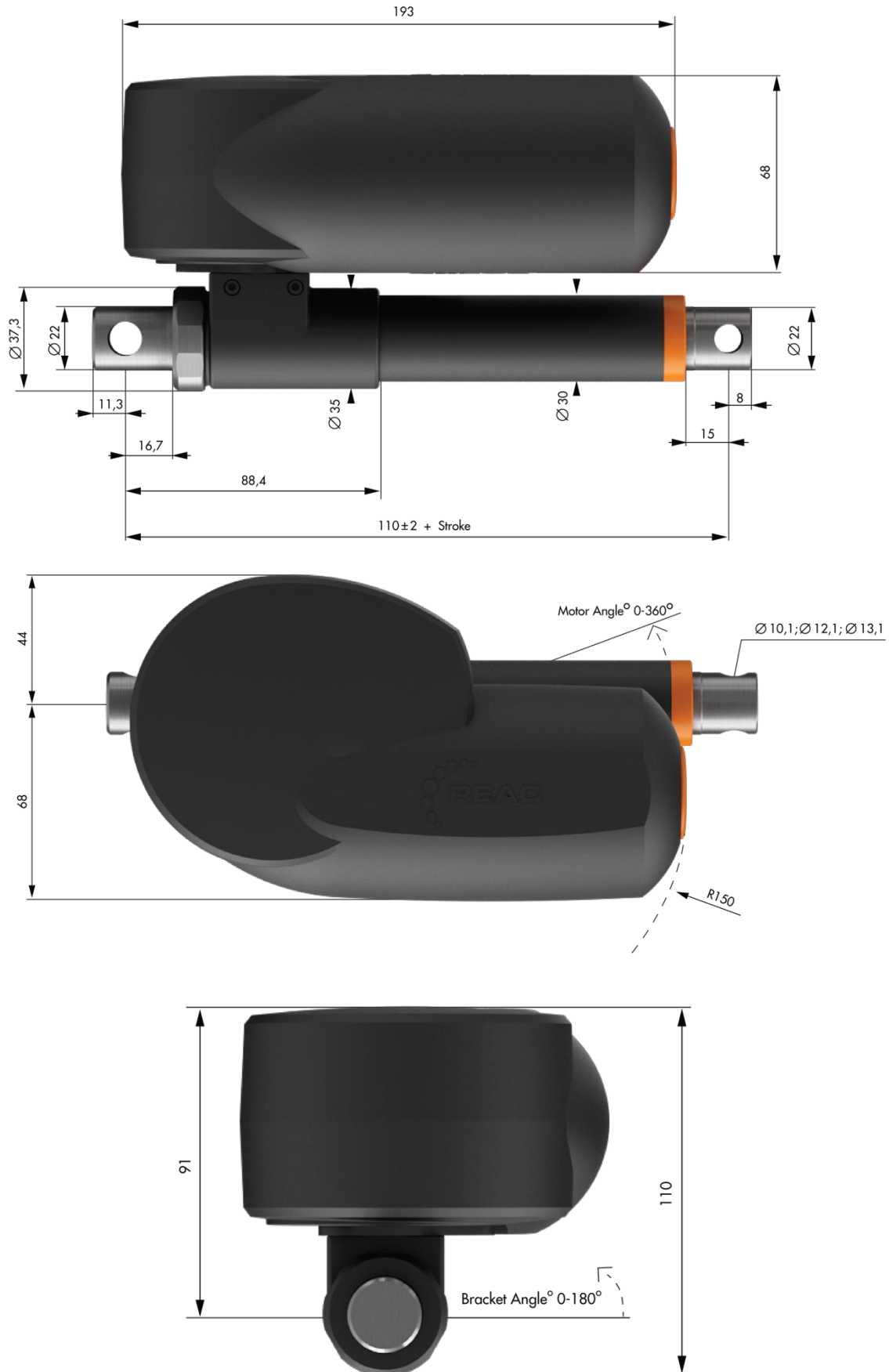


Actuator RE25

Standard motor IPX4



Strong motor IPX4



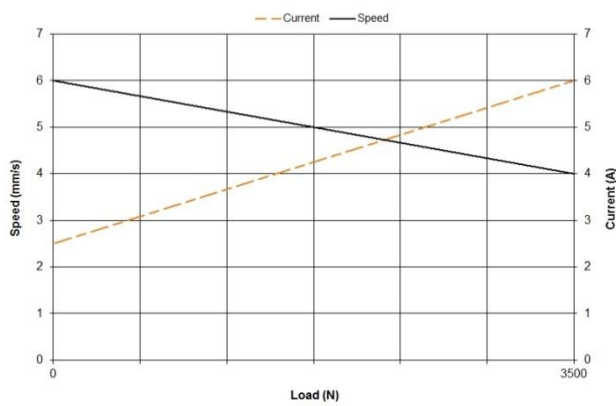
Actuator RE25

Performance

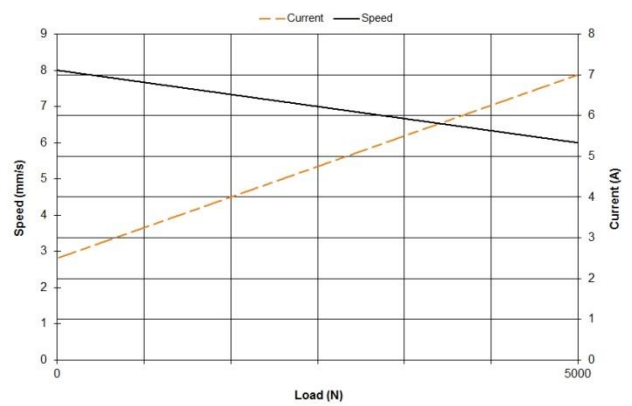
Chart showing force, speed and current for RE25

Pitch [mm]	Max push force [N]	Max pull force [N]	Max self-locking push [N]	Speed at no/max force [mm/s]	Current consumption at no/max force [A]	DC motor [type]
3	3500	N/A ¹	3500	6,0 / 4,0	2,5 / 6,0	Standard
3	5000	N/A ¹	5000	8,0 / 6,0	2,5 / 7,0	Strong
4	3200	N/A ¹	3200	7,0 / 4,2	3,0 / 6,8	Standard
4	4000	N/A ¹	4000	11,0 / 8,0	3,0 / 8,0	Strong
6	2700	N/A ¹	2700	11,0 / 8,0	3,0 / 5,5	Standard
6	3000	N/A ¹	3000	17,0 / 12,0	3,0 / 6,0	Strong
8	2300	N/A ¹	2300	13,0 / 8,5	4,0 / 6,0	Standard

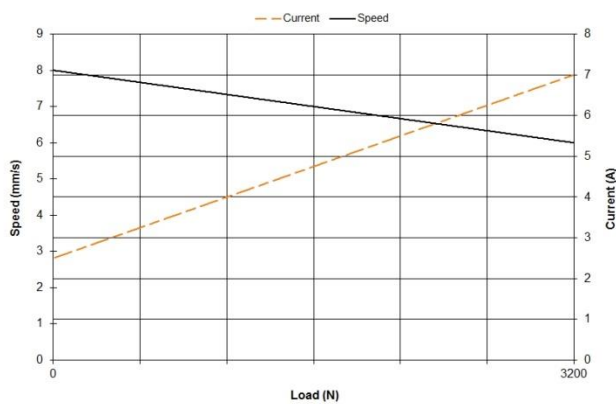
RE25.3 Standard motor



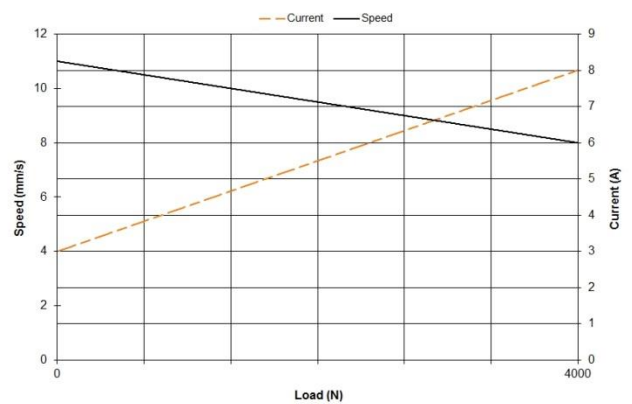
RE25.3 Strong motor



RE25.4 Standard motor

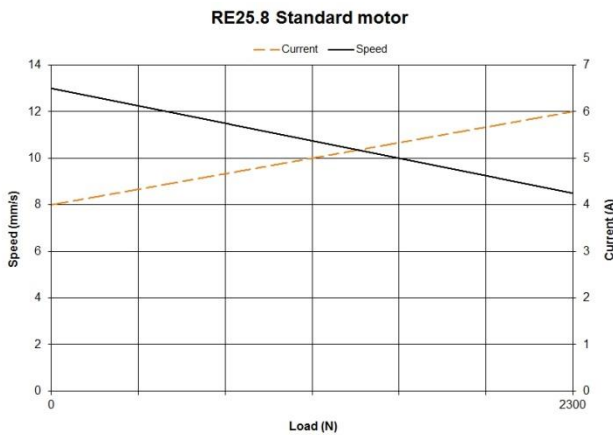
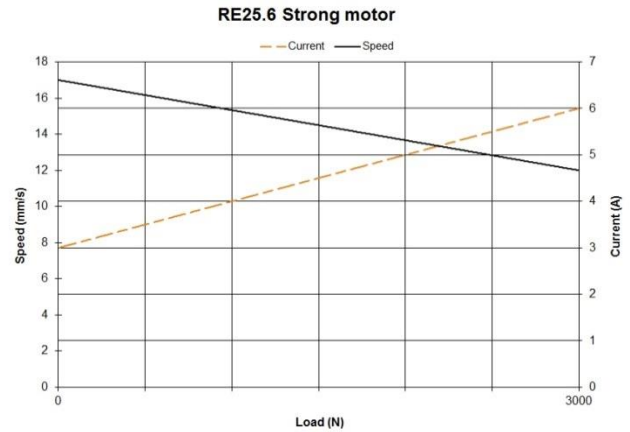
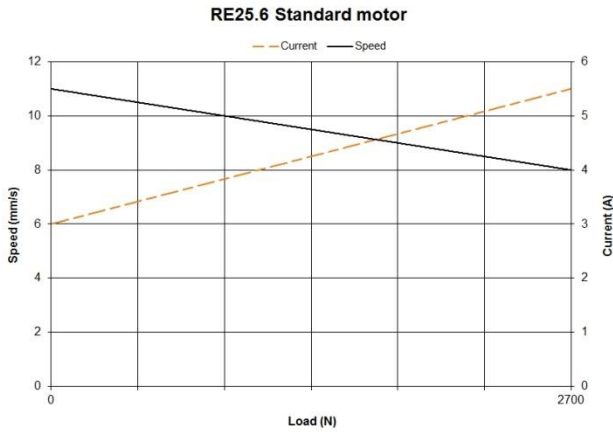


RE25.4 Strong motor



¹ Contact REAC for more information

Charts show average figures for 24V actuator using stabilized power supply. All figures with ambient temperature of 20°C. Accuracy: ±5.



Charts show average figures for 24V actuator using stabilized power supply. All figures with ambient temperature of 20°C. Accuracy: ±5.

© REAC, September 2016, Issue 1.0

REAC is continuously developing our products and can make changes without prior notice. Therefore we can't guarantee that the information stated on our webpage or in our written material always is up to date, nor can we take responsibility for any misinterpretation of our written context. Technical specification might change due to load and external circumstances. REAC products shall be tested in its intended application before use.

REAC AB
Forsbrogatan 4
662 34 Åmål, Sweden

REAC Poland Sp. z o.o
Ul. Sulejowska 45
97-300 Piotrków Trybunalski, Poland

www.reac.se
E-mail: info@reac.se
Phone: +46 532 78 50 00