

Linear Potentiometer



For an absolute feedback function, the actuator will be equipped with a built in linear “thin pot” potentiometer, operating with a wiper mechanism along the actuator stroke length.

Technical specification

Configurations

Available for RE1004, RE2000, RE3004, RE3005, RE5000, RE5001, RE5003, RE700-family

Potentiometer Electrical characteristics

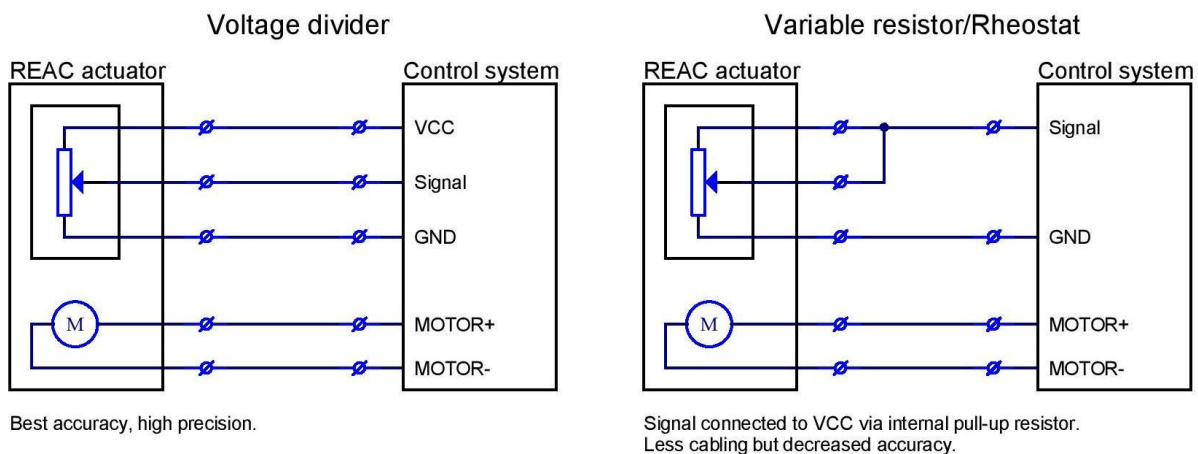
Resistance	10 k Ω (or value upon customer request)
Total resistance tolerance	$\pm 20\%$
Independent linearity	$\pm 1\%$
Power rating	0.5 W (max 1 W at +25°C)

Connection

Specs upon customer request

Principle

Potentiometer linear



The three-wire voltage divider is the recommended connection and **should always be used if possible**. In this configuration, the resistance tolerance does not matter, only the tolerance of the receiver affects the accuracy.

The second choice is two-wire variable resistor connection. In this case the 20% resistance tolerance must be taken in to consideration. If needed, Reac can calibrate the resistance for one working point to get a better accuracy at the most critical position of the system.

Dimensions

Linear potentiometer option does not affect actuator physical built in dimensions.

Note. Potentiometer option is available for REAC actuators outside standard stroke and pitch, please contact REAC for consultation

Linear Potentiometer

© REAC, January 2018, Issue 2.0

REAC is continuously developing our products and can make changes without prior notice. Therefore we can't guarantee that the information stated on our webpage or in our written material always is up to date, nor can we take responsibility for any misinterpretation of our written context. Technical specification might change due to load and external circumstances. REAC products shall be tested in its intended application before use.

REAC AB
Forsbrogatan 4
662 34 Åmål, Sweden

REAC Poland Sp. z o.o
Ul. Sulejowska 45
97-300 Piotrków Trybunalski, Poland

www.reac.se
E-mail: info@reac.se
Phone: +46 532 78 50 00