

## REAC Control Box **RCB11**

Very compact – Modular – Versatile



- Very compact build in dimensions
- For 24 VDC motors and actuators
- Adjustable current stop limits and speed limits
- Adjustable soft start and soft stop
- Stroke counter
- Battery saving functionality
- Operated with REAC Hand Control, RHC10, or any common generic switches
- Compatible with REAC actuators, battery pack, RPP10 and prepared for connecting to 24 VDC converter
- PC tool for easy parameter settings and monitoring

**Standard features**

Controls	1-2 channels, individual actuator drive, one at the time.
Current limit control	8 A (default)
System power	24 VDC
Batteries	Compatible with RPP10
Battery disconnect	Automatic and seamless switch between stand-by and run mode Automatic battery disconnect for zero current consumption at longer periods with no use and at critical low battery level. Easy “wake up”.
IP-class	IPX4
Weight	0.2 kg
Operating temperature	-25 °C to +50 °C
Storage temperature	-40 °C to +70 °C
Color	Black (RAL 9005) or White (RAL 9016)
Standard compliance	ISO/EN 60601-1
EMC conformity	IEC/EN 61000-6-2: 2005 (C1:2005) IEC/EN 61000-6-3: 2007 IEC/EN 60601-1-2: 2015 ISO 7176-21: 2009
Flammability rating	UL94V-0
Soft start/stop	Yes. Customizable via PC-tool <sup>1</sup>
Operation interface	RHC10 or common switches optionally (see options)
Counter	Motor activity detection/number of actuator strokes, readable via PC-tool <sup>1</sup>
Duty cycle protection	To protect motor from overheating. Customizable limits via PC-tool <sup>1</sup>

**Options**

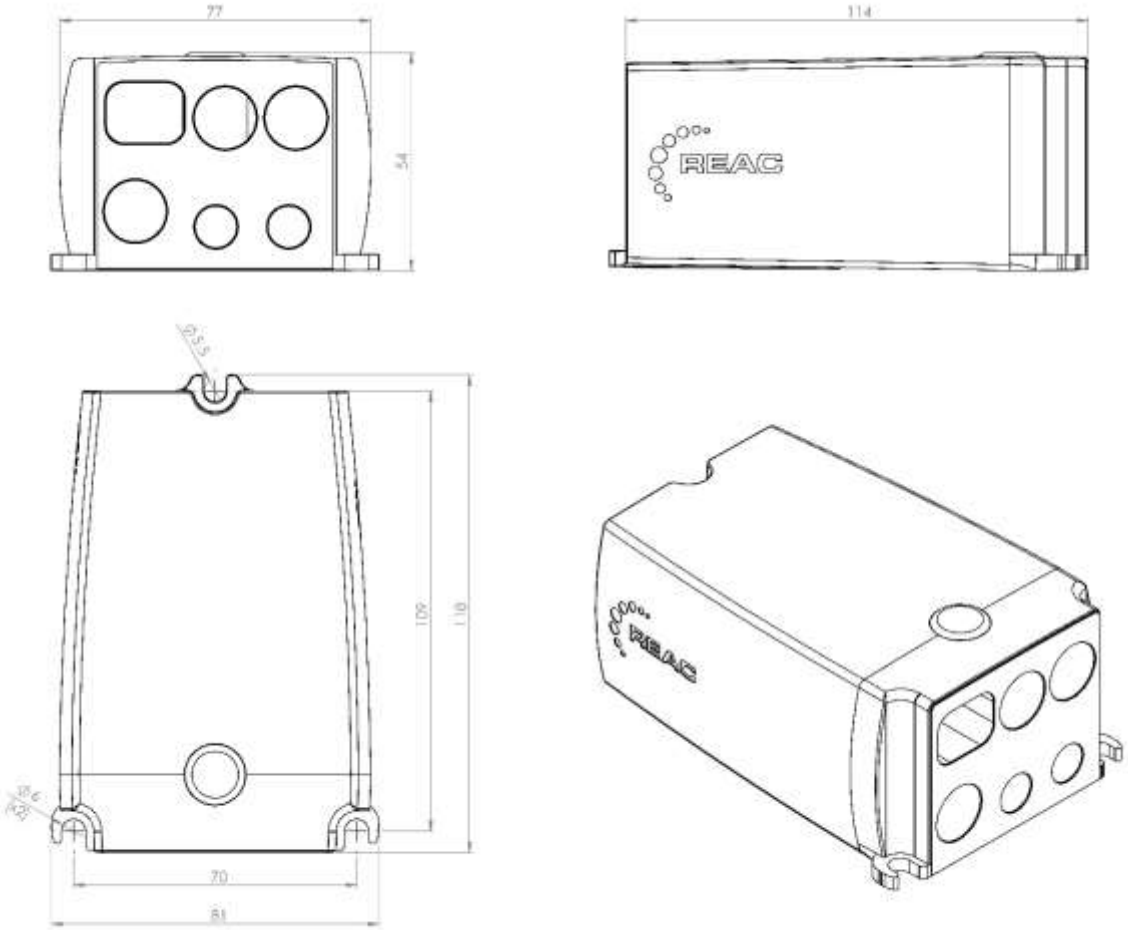
Current limit control	Max 16 A, Customizable via PC-tool <sup>1</sup>
Digital input ports	1-2
Front overlay	Customizable
Sound notifications	Low battery, customizable via PC- tool <sup>1</sup>

**Accessories**

<sup>1</sup> PC tool	USB computer interface and PC tool for settings, monitoring and trouble shooting. Requires adapter (USB10).
----------------------	---

Control box RCB11

Dimensions



## System layout example



© REAC, October 2018, Issue 2.0

REAC is continuously developing our products and can make changes without prior notice. Therefore we can't guarantee that the information stated on our webpage or in our written material always is up to date, nor can we take responsibility for any misinterpretation of our written context. Technical specification might change due to load and external circumstances. REAC products shall be tested in its intended application before use.

REAC AB  
Forsbrogatan 4  
662 34 Åmål, Sweden

REAC Poland Sp. z o.o  
Ul. Sulejowska 45  
97-300 Piotrków Trybunalski, Poland

www.reac.se  
E-mail: info@reac.se  
Phone: +46 532 78 50 00