

Lift & tilt system | standard

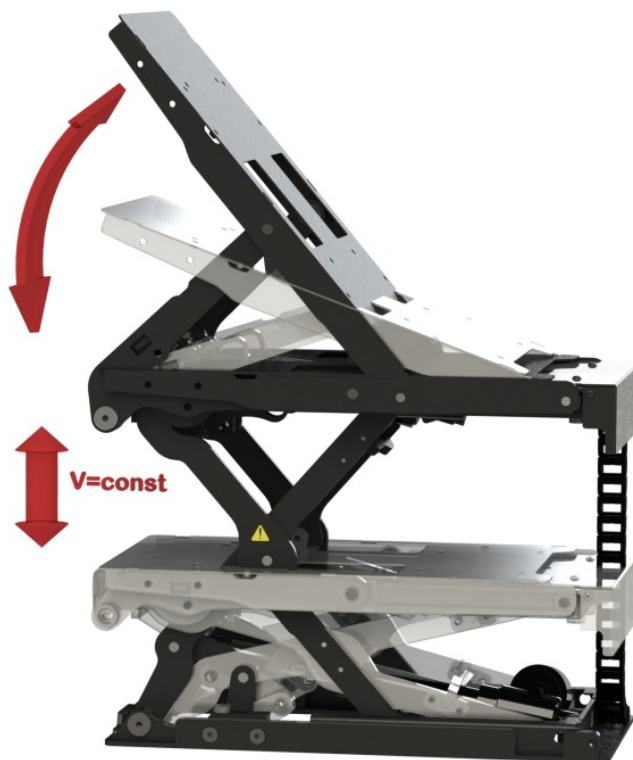


REAC Lift and tilt system is a very compact and powerful lift and tilt device. Clever engineering allows an impressive lifting performance of 200kg up to 300mm, still maintaining an 80mm overall built in height. The tilt function allows angle up to 45°. It has ideal specifications for electrical wheelchairs as well as other suitable applications.

We offer to customize the device to match your needs, please contact our sales department in case of any questions.

Standard features	Standard
Load capacity	200kg
Min install height	80mm
Lifting height	300mm
Max tilting angel	45°
Weight	26kg
Feedback & switches	Limit switch in actuator
Motor	24VDC

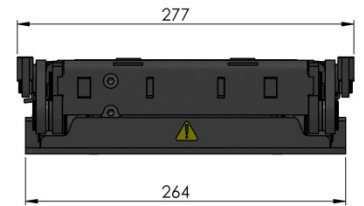
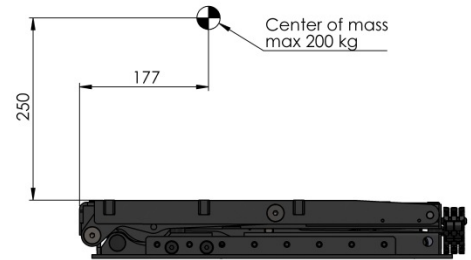
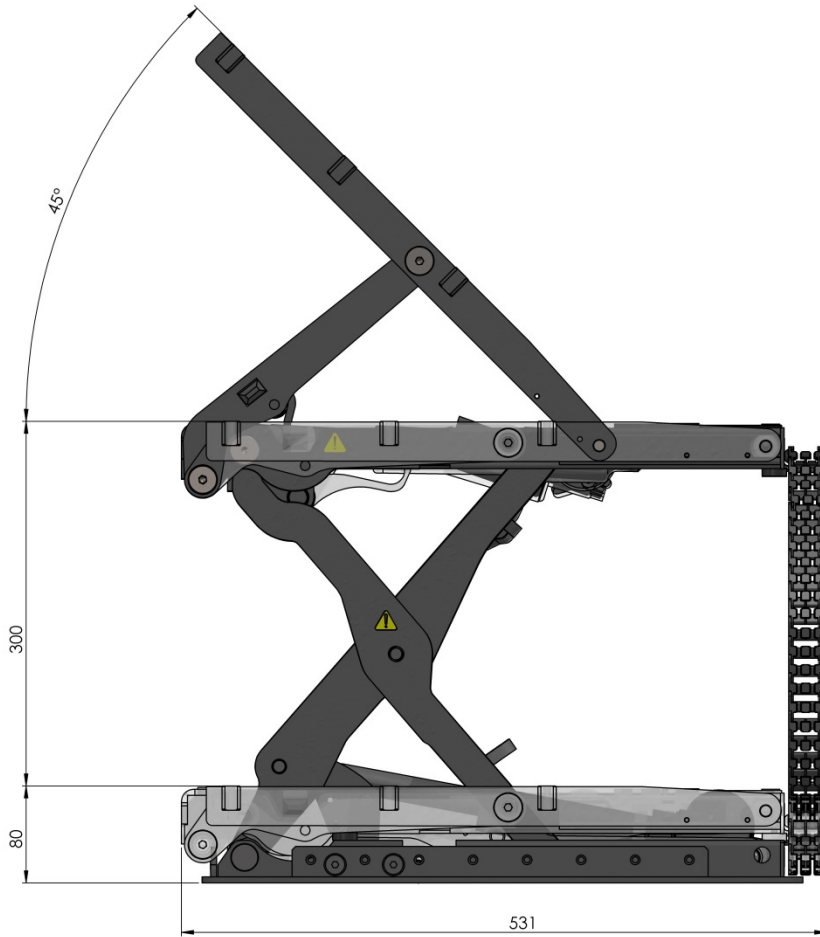
Top and bottom frame	Customized
Feedback and switches	Inhibit switch, min and max linear position Positioning feedback incremental Positioning feedback analogue
Tilt angel	0° to 50°
Motor	12VDC



Lift & tilt system

Dimensions

Lift & tilt system standard



© REAC, Sept 2021, Issue 4.0

REAC is continuously developing our products and can make changes without prior notice. Therefore we can't guarantee that the information stated on our webpage or in our written material always is up to date, nor can we take responsibility for any misinterpretation of our written context. Technical specification might change due to load and external circumstances. REAC products shall be tested in its intended application before use.

REAC AB
Forsbrogatan 4
662 34 Åmål, Sweden

REAC Poland Sp. z o.o
Metalowców 10
97-300 Piotrków Trybunalski, Poland

www.reac-group.com
E-mail: info@reac.se
Phone: +46 532 78 50 00