

## Actuator **RE3004**



RE3004 is a powerful and quiet actuator designed for rehabilitation applications, but can be used also in other applications, demanding the smallest overall dimensions. The RE3004 is perfect for powered wheelchair applications.

**Standard features**

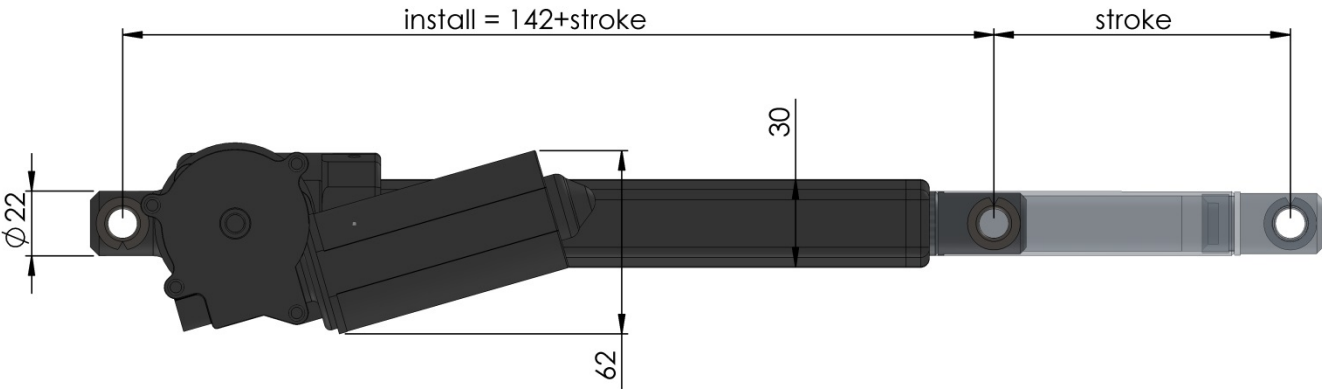
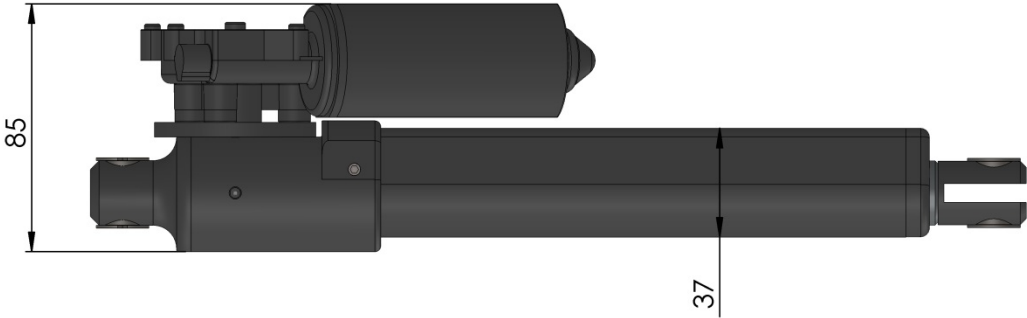
Max push force	2500N – 4000N
Max pull force	2500N – 4000N
Max speed (full load)	3,4 – 9,6 mm/s
Max speed (no load)	4,0 – 16,0 mm/s
Min built in length	142mm + stroke
Stroke lengths (mm)	50, 100, 150, 200, 250
IP-class	IPX1
Current consumption (full load)	3,5A – 6,0A
Current consumption (no load)	0,6A – 1,9A
Feedback & switches	Mechanical limit switch
Motor	24VDC fast or strong. Angle: 14°, 16° or 120°
Mounting brackets	cyl 10,2/12,0mm, fork 10,2mm. Angle for rear bracket: 0°, 90°
Connection	Cable 0,5m 2x0,75mm <sup>2</sup> (stripped ends)
Operating temperature	+5° to +40°C
Storage temperature	-40° to +70°C
Housing	Steel
Piston	Stainless steel
Color	Black
Duty cycle	10%, max 2 min at continuous use followed by an 18 min rest

**Options**

Stroke lengths (mm)	Customizable
Mounting brackets	Customizable
Connection & Cables	Customizable
Feedback & switches	Hall sensor feedback, 1 or 2 channels Reed switch Linear potentiometer DigPot

Actuator RE3004

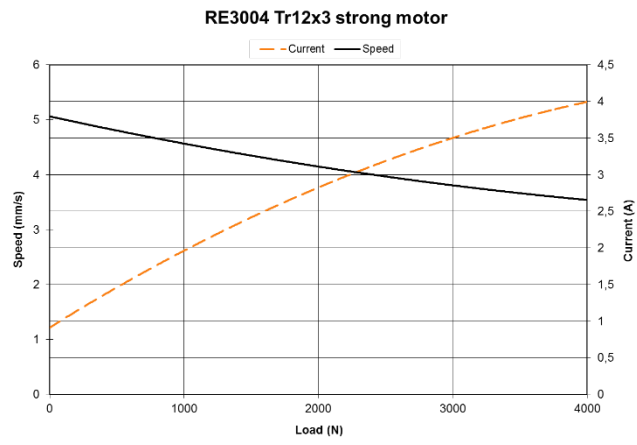
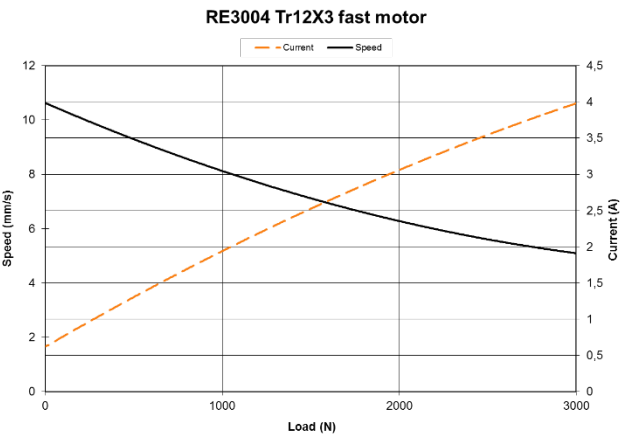
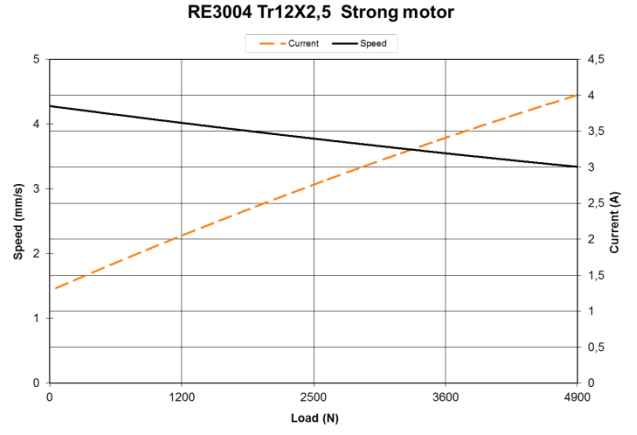
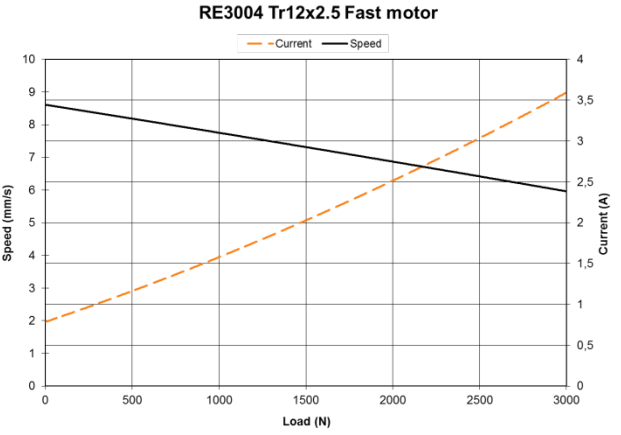
Dimensions



# Performance

Chart showing force, speed and current for RE3004

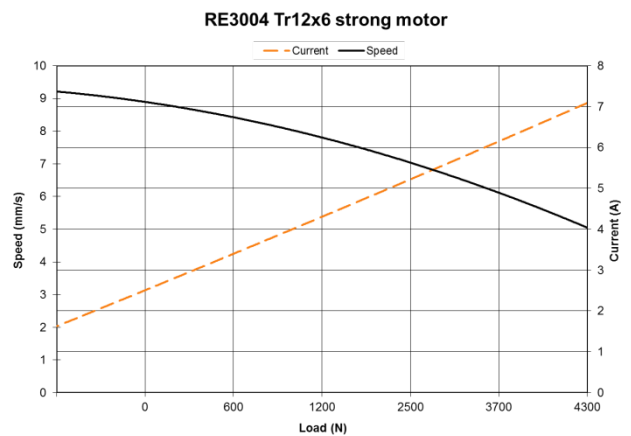
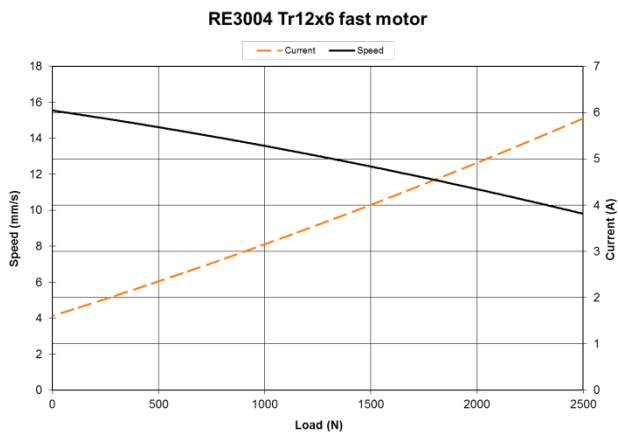
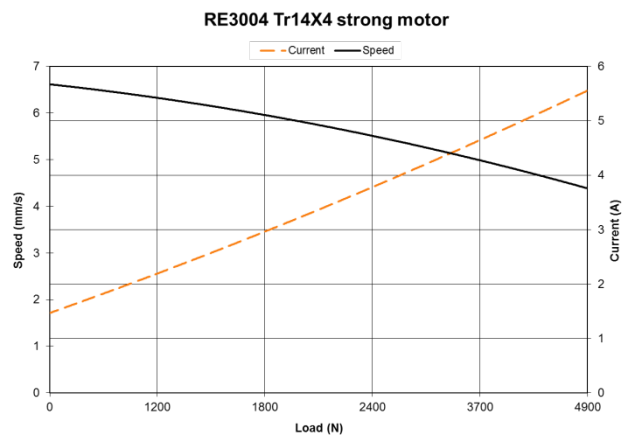
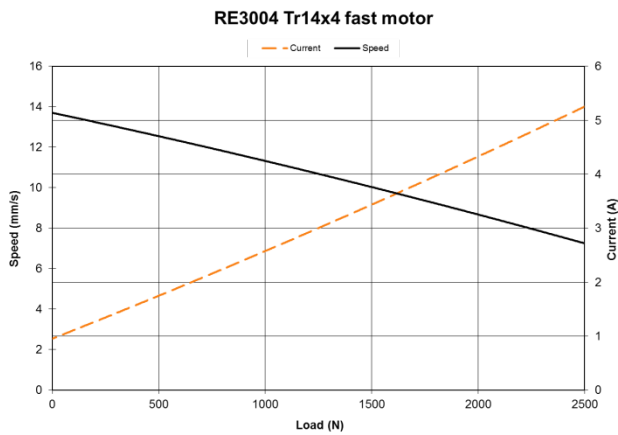
Pitch [mm]	Max push force [N]	Max pull force [N]	Max self-locking push [N]	Speed at no/max force [mm/s]	Current consumption at no/max force [A]	DC motor [type]
2,5	3000	3000	3000	8,5 / 5,9	0,8 / 3,5	Fast
2,5	4000	4000	4000	4,0 / 3,4	1,3 / 3,5	Strong
3	3000	3000	3000	10,5 / 6,0	0,6 / 4,0	Fast
3	4000	4000	4000	5 / 3,5	0,9 / 4,0	Strong



Charts show average figures for 24V actuator using stabilized power supply. All figures with ambient temperature of 20°C. Accuracy: ±5.

# Actuator RE3004

Pitch [mm]	Max push force [N]	Max pull force [N]	Max self-locking push [N]	Speed at no/max force [mm/s]	Current consumption at no/max force [A]	DC motor [type]
4	2500	2500	2500	13,5 / 7,4	0,8 / 5,4	Fast
4	4000	4000	4000	6,5 / 4,8	1,3 / 4,7	Strong
6	2500	2500	750	16,0 / 9,6	1,5 / 6,0	Fast
6	4000	4000	1500	6,0 / 6,3	1,9 / 6,0	Strong



Charts show average figures for 24V actuator using stabilized power supply. All figures with ambient temperature of 20°C. Accuracy: ±5.

© REAC, September 2021, Issue 2.0

REAC is continuously developing our products and can make changes without prior notice. Therefore we can't guarantee that the information stated on our webpage or in our written material always is up to date, nor can we take responsibility for any misinterpretation of our written context. Technical specification might change due to load and external circumstances. REAC products shall be tested in its intended application before use.

REAC AB  
J A Wettergrens gata 7  
421 30 Västra Frölunda, Sweden

REAC Poland Sp. z o.o  
Metalowców 10  
97-300 Piotrków Trybunalski, Poland

[www.reac.se](http://www.reac.se)  
E-mail: [info@reac.se](mailto:info@reac.se)  
Phone: +46 532 78 50 00