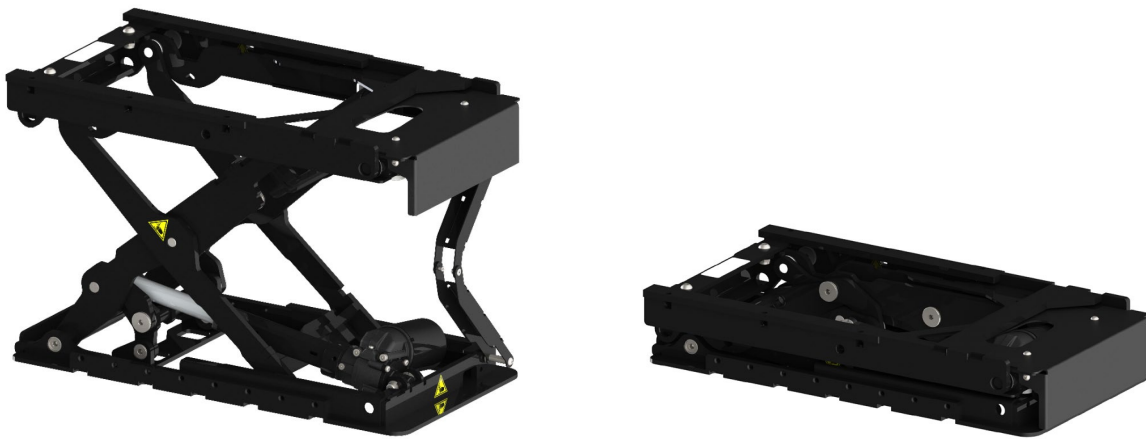


Lift system | heavy duty



REAC Lift system is a very compact and powerful lift. Clever engineering allows an impressive lifting performance of 260kg up to 254mm, still maintaining an 89,5mm overall build-in height. It has ideal specifications for electrical wheelchairs as well as other suitable applications.

We offer to customize the device to match your needs, please contact our sales department in case of any questions.

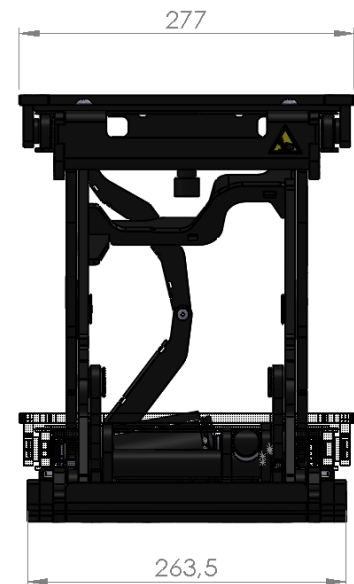
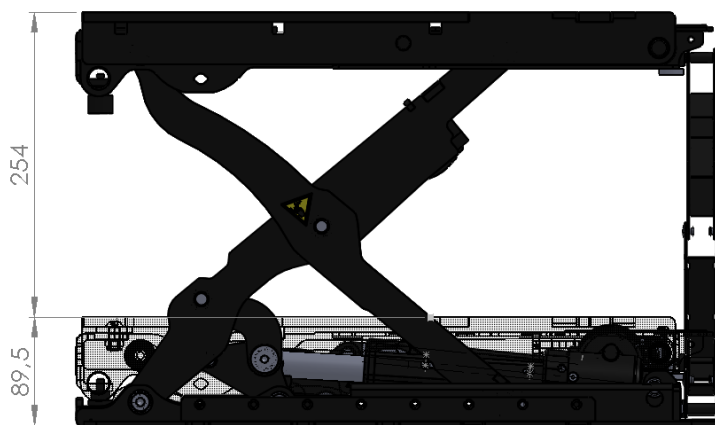
Heavy duty features

Load capacity	260kg
Min install height	89,5mm
Lifting height	254mm
Weight	22kg
Feedback & switches	Limit switch in actuator Inhibit switch, min and max linear position
Motor	24VDC

Top and bottom frame	Customized
Feedback and switches	Positioning feedback analogue

Dimensions

Lift system HD



© REAC, August 2023, Issue 4.1

REAC is continuously developing our products and can make changes without prior notice. Therefore we can't guarantee that the information stated on our webpage or in our written material always is up to date, nor can we take responsibility for any misinterpretation of our written context. Technical specification might change due to load and external circumstances. REAC products shall be tested in its intended application before use.

REAC AB
J A Wettergrens gata 7
421 30 Västra Frölunda, Sweden

REAC Poland Sp. z o.o
Metalowców 10
97-300 Piotrków Trybunalski, Poland

www.reac-group.com
E-mail: info@reac-group.com
Phone: +46 31 350 99 00